

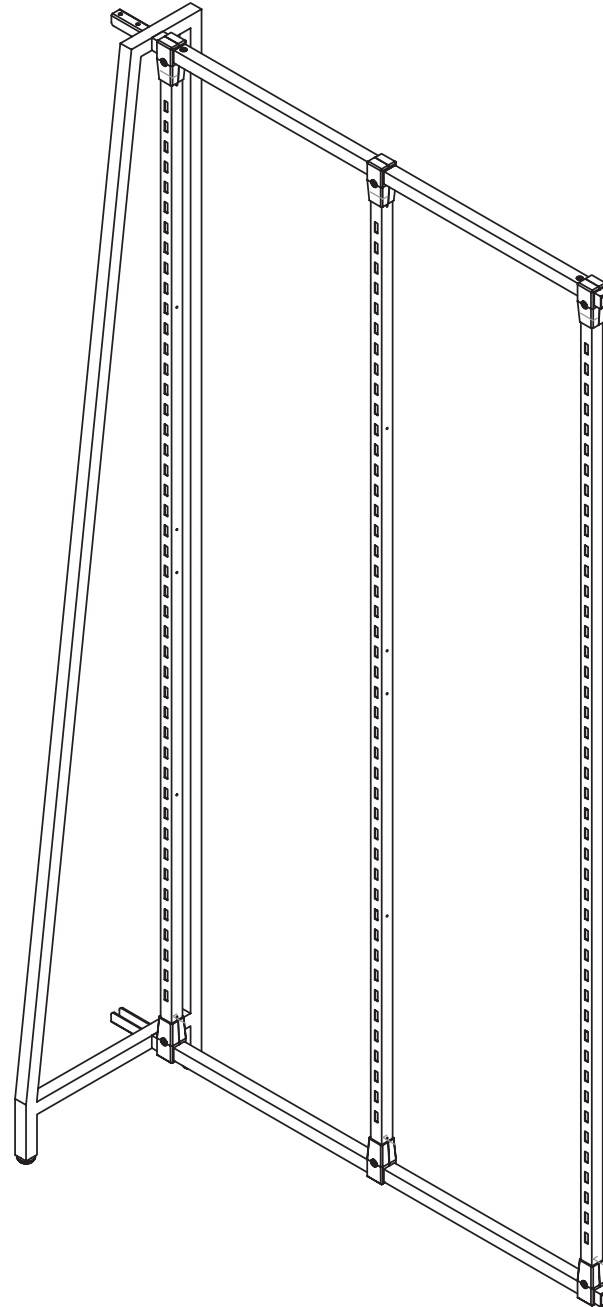
# BURNSIDE

## ASSEMBLY INSTRUCTIONS

### W-FRAME ADD-ON

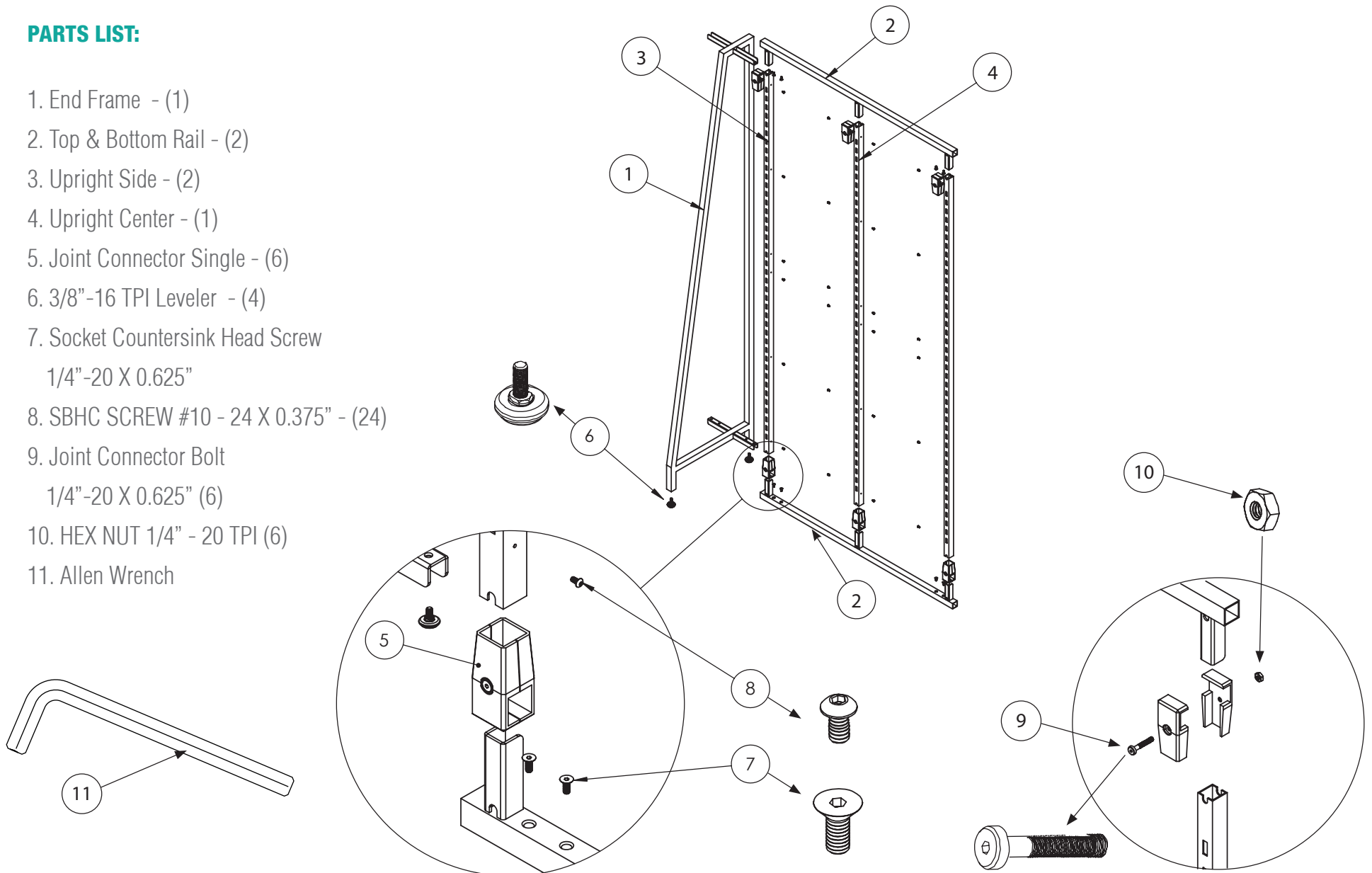
// 292-WF-ADD

Use to add-on to the W-Frame Starter wall system.



### PARTS LIST:

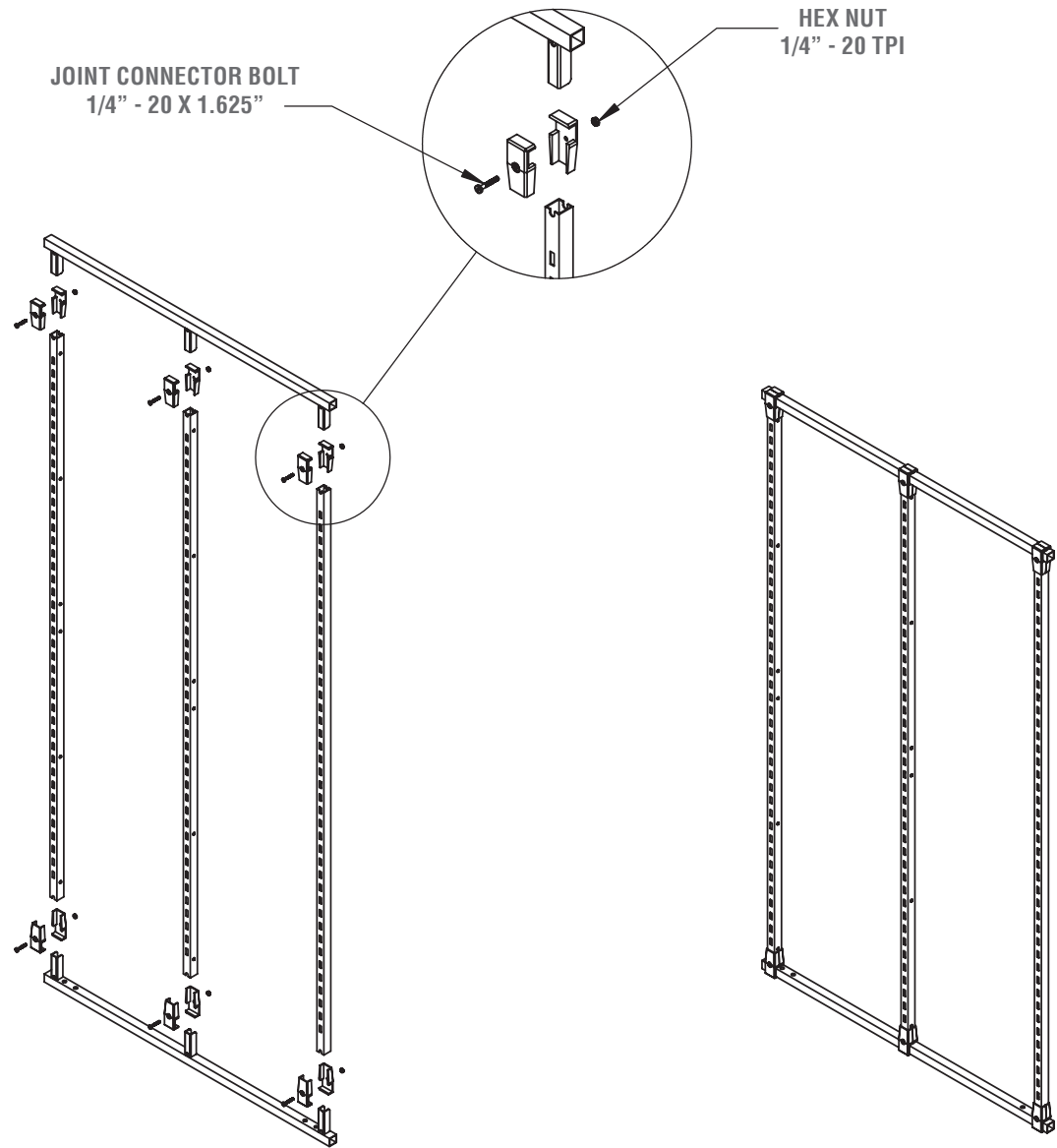
1. End Frame - (1)
2. Top & Bottom Rail - (2)
3. Upright Side - (2)
4. Upright Center - (1)
5. Joint Connector Single - (6)
6. 3/8"-16 TPI Leveler - (4)
7. Socket Countersink Head Screw  
1/4"-20 X 0.625"
8. SBHC SCREW #10 - 24 X 0.375" - (24)
9. Joint Connector Bolt  
1/4"-20 X 0.625" (6)
10. HEX NUT 1/4" - 20 TPI (6)
11. Allen Wrench



### STEP 1:

Attach Upright Sides & Center to Top & Bottom Rails with Joint Connectors. Use Joint Connector Bolts & Hex Nuts and secure with Allen Wrench.

**NOTE:** The Upright Center will have holes on both side while the Upright Sides will only have holes on the inside of the frame.



**STEP 2:**

Connect the End Frame to the Main Frame using Socket Countersunk Head Screws using the Allen Wrench.

**STEP 3:**

Affix Levelers at desired height.

**FIXTURE IS COMPLETE**