

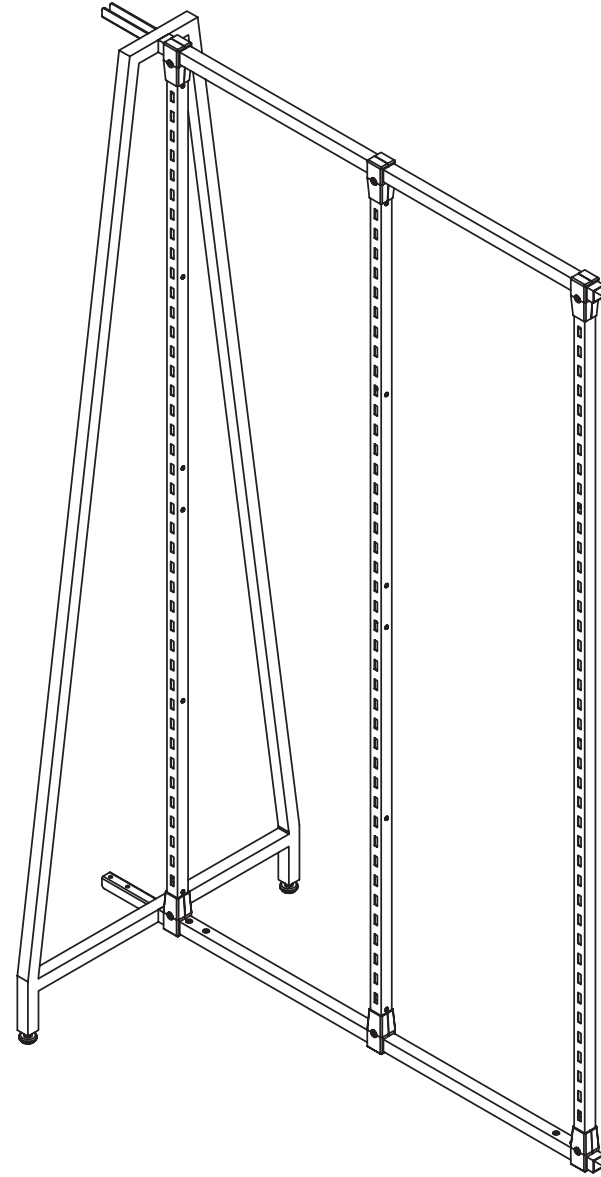
BURNSIDE

ASSEMBLY INSTRUCTIONS

D-FRAME ADD-ON

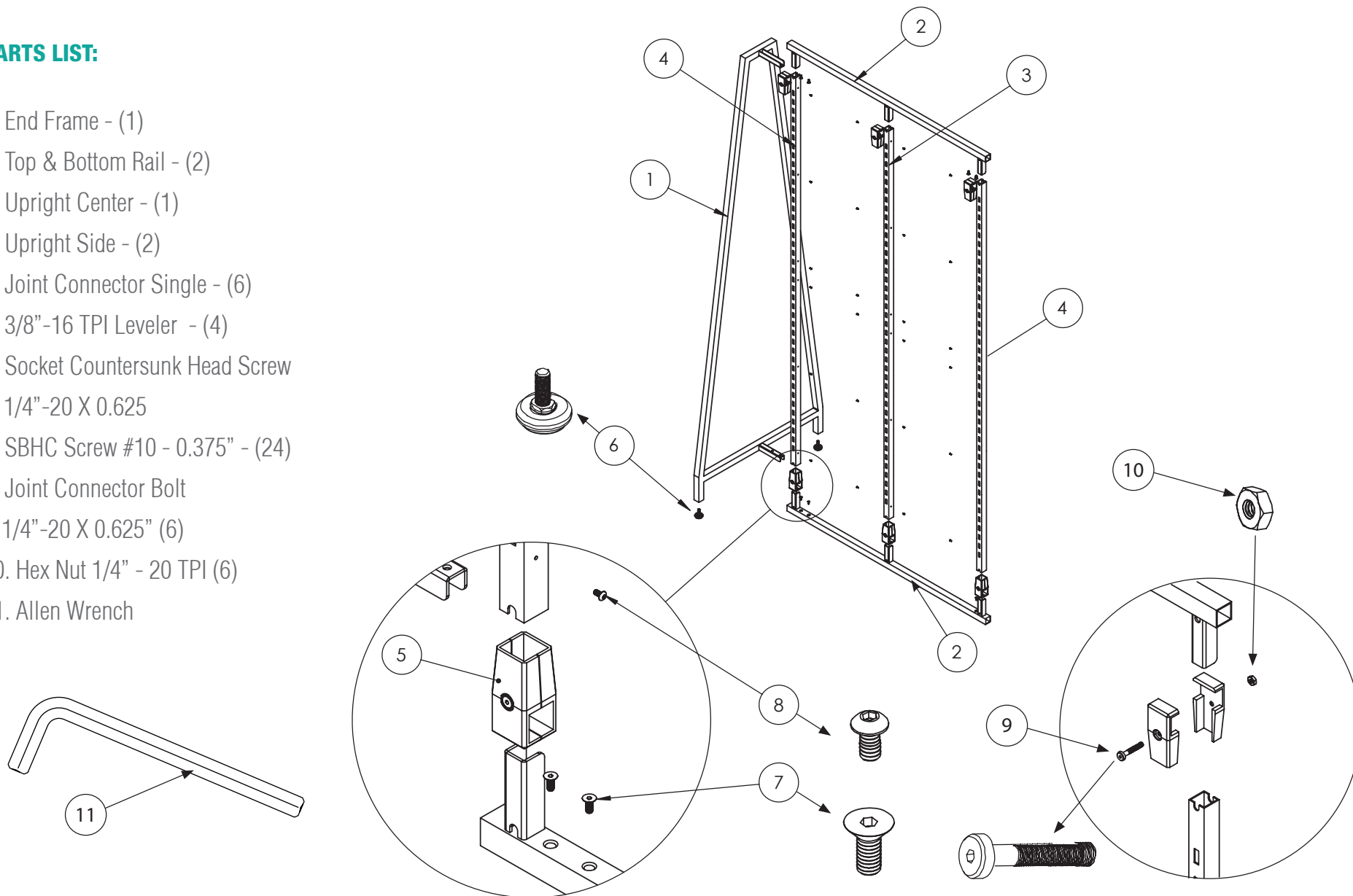
// 292-DF-ADD

Use to add-on to the D-Frame Starter wall system.



PARTS LIST:

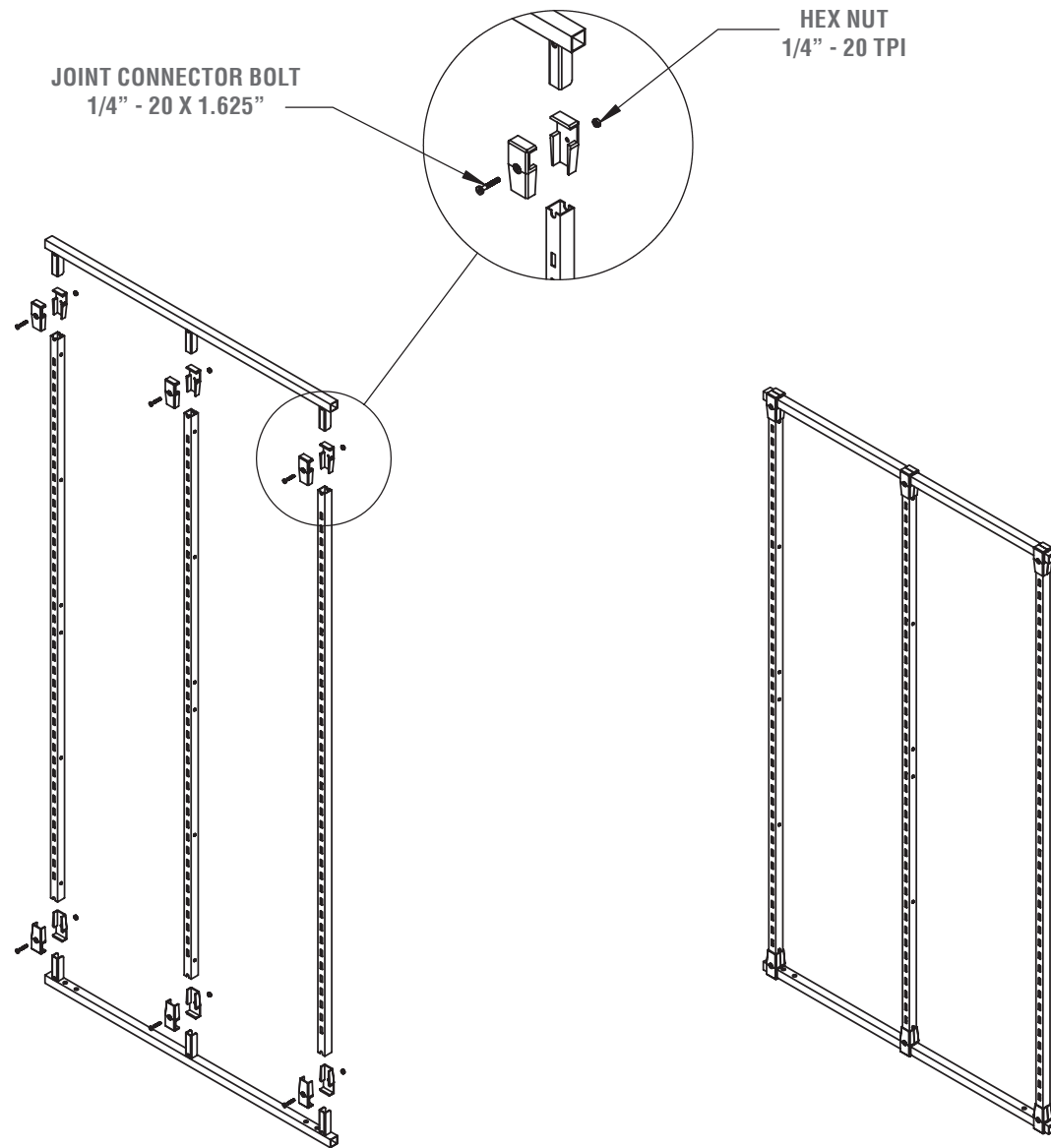
1. End Frame - (1)
2. Top & Bottom Rail - (2)
3. Upright Center - (1)
4. Upright Side - (2)
5. Joint Connector Single - (6)
6. 3/8"-16 TPI Leveler - (4)
7. Socket Countersunk Head Screw
1/4"-20 X 0.625
8. SBHC Screw #10 - 0.375" - (24)
9. Joint Connector Bolt
1/4"-20 X 0.625" (6)
10. Hex Nut 1/4" - 20 TPI (6)
11. Allen Wrench



STEP 1:

Attach Upright Sides & Center to Top & Bottom Rails with Joint Connectors. Use Joint Connector Bolts & Hex Nuts and secure with Allen Wrench.

NOTE: The Upright Center will have holes on both side while the Upright Sides will only have holes on the inside of the frame.



STEP 2:

Connect the End Frame to the Main Frame using Socket Countersunk Head Screws using the Allen Wrench.

STEP 3:

Affix Levelers at desired height.

FIXTURE IS COMPLETE